

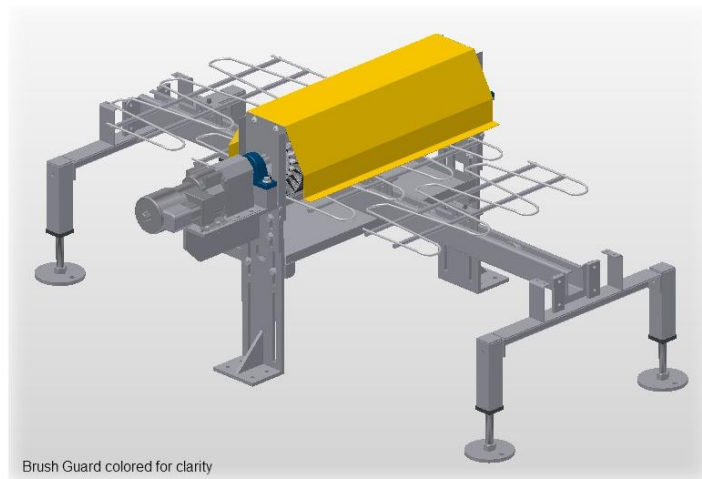
Cleaning Brush System for Conveyorized Grids

Features:

- Simplified installation
- Auto/Manual mode selection
- Powerful 1/4 HP brush motor

Benefits:

- Can be installed by plant team
- Consistent and continual grid conditioning



Options:

- Stainless steel enclosure
- Control panel floor stand



Control Panel

DESIGNED WITH THE BAKER IN MIND!

SELF-INSTALLED, OPERATED, AND MAINTAINED

Summary:

The Cleaning Brush System for Conveyorized Grids is composed of an electrical control panel and a pre-assembled grid brush assembly. The controls provide a means for automatic or manual modes of operation. The ¼ HP grid brush assembly generates 227 in-lbs. of torque at 58 RPM and is easily installed into the inactive conveyorized grid loop.

Specifications:

ELECTRICAL	
Voltage	110 - 240 VAC
Frequency	50/60 Hz
Current	2.6 Amps @ 120 VAC
Control	Relay Logic
Enclosure	12" x 10" x 5"; NEMA 12; ANSI-61 Gray
GEARMOTOR	(2603-02048)
Power	1/4 HP
Speed	48/58 RPM
Rotation	Reversible
Full Load Torque	227 Inch Pounds
MECHANICAL	Grid Height Range
GA10203	9.25" to 18.25"
GA21206	18.25" to 29.25"
Interlock Contacts	Ratings: 250V; 10 Amps; 30 Million Cycles
UPGRADE OPTIONS	
	Stainless Steel Enclosure
	Control Panel Floor Stand

BRUSH	(2520-01006)
Material	0.040 Crimped Black 6-6 Nylon
Dimensions	
Length	22"
Diameter	8"
Thermal	
Softening Point	300°F Continuous Ambient
DOCUMENTATION	
User Manual Kit	Hard Copy and PDF
PRODUCT KIT CONTAINS	
	1 Control Panel
	1 Grid Brush Assembly
	1 User Manual Kit
ORDER VARIATIONS	(Choose One)
Grid Height Range from Floor	9.25" to 18.25"
	18.25" to 29.25"